

PPC1209
12.1" TFT SVGA 4:3 Flush Panel PC with Celeron® J1900
2.0Ghz Base Frequency, up to 2.42GHz
Touch Screen 4GB DDR3L, 3 x USB, 2 x COM



Features

- 4:3 12.1" Fanless LED Panel Computer
- Intel® Celeron® J1900, Quad Core, Low Power Consumption CPU
- Flush Panel by 5-wire Touch Screen
- Dual GbE/ 2nd display-VGA/ Line-out/PS2 KB/MS
- USB x 3/ 2 x mini-PCIe sockets/ 1 x CFast/ 2 x RS232/ 422/ 485 COM ports
- DDR3L 4GB / 2.5" HDD Bracket
- IP65 Compliant Front Panel
- Mounting Support: Panel/ Wall/ Stand/ VESA 100mm x 100mm
- Wide Range Power Input 12V~ 30V DC

Overview

The 12.1" fanless Panel PC PPC1209 incorporating an industrial motherboard is intended for versatile industrial applications. The Panel PC has a touch screen LED backlight LCD panel with 800x600 (SVGA) resolution and 450-nit brightness. The front panel has a flush design and complies with IP65 standards, a perfect fit in industrial applications.

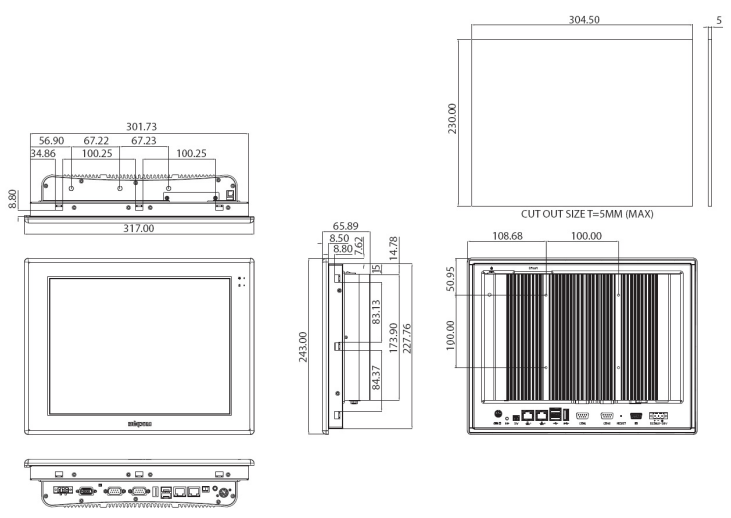
The PPC1209 supports WWAN/WLAN expansion, has on-board Dual Gigabit Ethernet connectors, two Mini-PCIe slots and one SIM card holder. With support for wide power input of 12V~30V DC, the PPC1209 is the ideal solution for industrial field and machine device applications. In addition you can connect a 2nd display via the on-board VGA port for dual independent display. The PPC1209 also has two isolated RS232/422/485 ports, four isolated channels of DI and DO, and a Fieldbus port.

Specification

Panel	LCD size: 12.1", 4:3 Resolution: SVGA 800 x 600 Luminance: 450cd/m ² Contrast ratio: 700 LCD colour: 16.2M Viewing angle: 65 (U), 75 (D), 80 (L), 80 (R) Backlight: LED
Touch Screen	5-wire resistive (flush panel type) Light transmission: 80% Interface: USB
System	CPU: On-board Intel® Celeron® Quad Core J1900 processor, 2.0GHz Base frequency Quad Core. Up to 2.42GHz Single Core, 2M L2 Cache BIOS: AMI BIOS System memory: 2 x 204-pin DDR3L SO-DIMM socket, 4GB DDR3L (default), support up to 8GB DDR3L-1066/1333, non-ECC and un-buffered Storage device: - 1 x external locked CFast socket - 1 x hard drive bay: optional 1 x 2.5" SATA HDD or 1 x SATA DOM Watchdog timer: Watchdog timeout can be programmable by software from 1 second to 255 seconds and from 1 minute to 255 minutes (tolerance 15% under room temperature 25°C) H/W status monitor: monitoring system temperature, and voltage Expansion: 2 x mini-PCIe sockets (support optional Wi-Fi, 3.5G module)
Rear I/O	Ethernet: 2 x RJ45 2nd display VGA port: 1 x DB15 Audio port: 1 x Line-out USB: 2 x USB 2.0, 1 x USB 3.0 PS2 keyboard/mouse Power switch Reset button 2-pin remote power on/ off switch COM #1: RS232/422/485 w/ 2.5kv isolated COM #2: RS232/422/485 w/ 2.5kv isolated
Audio	HD audio codec: Realtek ALC886-GR Audio interface: Line-out
Ethernet	LAN chip: dual Intel® I210AT Gigabit LAN Ethernet interface: 10/100/1000 Based-Tx Ethernet compatible

Mechanical & Environment	Colour: pantone black\RAL 15 00 front bezel w/ Pantone 400C\RAL 090 80 10 metal style membrane IP protection: IP65 front Mounting: panel/wall/stand/VESA 100mm x 100mm Power input: 12V~ 30VDC Power adapter: Optional AC to DC power adapter (+12V, 60W) Vibration: - IEC 68 2-64 (w/ HDD) - 1Grms @ sine, 5~500Hz, 1hr/axis (HDD Operating) - 2Grms @ sine, 5~500Hz, 1hr/axis (CFast Operating) - 2.2Grms @ random condition, 5~500Hz, 0.5hr/axis (Non-operating) Shock: - IEC 68 2-27 - HDD: 20G@wall mount, half sine, 11ms Operating temperature: -5°C to 60°C Storage temperature: -20°C to 75°C Operating humidity: 10%~90% relative humidity, non-condensing Limits to be at 90% RH at max 50°C Dimension: 317 x 243 x 65.89mm Weight: 4 Kg
-------------------------------------	--

Certifications	CE approval FCC Class A
OS Support Lists	Windows 8 32bit/64bit Windows 7 32bit/64bit WinCE 7.0



All systems are fully configured & integrated to our customer's specifications including:

- Memory
- HDD/SSD
- Operating System
- Application Software
- PCI/PCIe card Installation

Industrial Computers Ltd.
Units 3, 4 & 5 New Bury Park
Marsh Lane
Easthampnett
West Sussex, PO18 0JW

Tel: +44 (0) 1243 380780
Fax: +44 (0) 1243 538035
eMail: sales@industrial-computers.com
Web: www.industrial-computers.com
Req No: 5578804

