



Two adjustable card  
retainer positions



Fan Filter



Cooling System

### Specification

#### Construction

- Heavy-duty steel

#### Drive Bay

- External: 5.25 x2, Internal: 3.5" HDD x2

#### Card Retainer

- Two locations for one card retainer

#### Air Filter

- One replaceable air filter

#### Cooling Fan

- One 12 cm ball-bearing fans

#### Indicator

- HDD x1+ Power on/off x1

#### Switch

Power on/off x1 , System reset x1

#### Speaker

- One 8dspeaker

#### Connector

Two USB ports on the front panel

#### Standard Color

- Silver

#### Operating Temperature Range

- 0 to +50°C

#### Storage Temperature Range

- -40 to +70°C

#### Relative Humidity

- 5% to 95%, non-condensing

#### Vibration

- 5~7 Hz: 0.5" double amplitude displacement 7~2000 Hz: 1.5g acceleration

#### Dimension

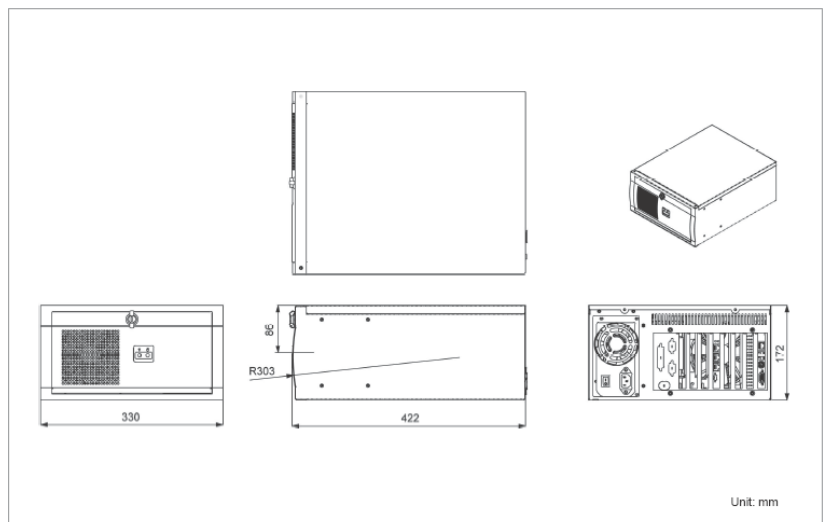
- 330(W) x 420.8(D) x 172(H) mm  
12.99"(W) x 16.56"(D) x 6.77"(H)

#### Weight Net:

- Net: 10 kg (20.2 lb)

#### Backplane:

- PBP-08I: 8-slot PISA bus PICMG backplane
- PBP-08P4: 8-slot (4xPCI) PICMG backplane
- PBP-08P3: 8-slot (3xPCI) PICMG backplane



Unit: mm

### Ordering Information

SEM-8264-00

- (RoHS Compliant) 8-slot full-sized industrial node chassis