

PPC-MG & WF-17C2



Medical Grade All-in-one Solution



Web camera
: USB2.0 1.3M module

TV tuner
: PCI type
(NTSC/PAL/SECAM)

Wireless LAN
: MiniPCI interface 802.11b/g
with build in antenna

Features

- 17 medical grade panel PC
- Medical certification compliance (EN60601-1 / UL60601-1)
- Anti-bacteria coating High Performance Intel Core 2 Duo Mobile Processor
- Supports PCI ExpansionHDD Anti-vibration mechanism
- IP65(IP65 at front panel) / IPX1 compliance
- WebCAM (Optional)
- Supports 802.11b/g Wireless Solution with internal antenna (Optional)
- Fanless Design (PPC-MG-17C2D)
- Lower Noise Fan Design (PPC-MG-WF-17C2D)

System

CPU	Intel® Core™ 2 Duo 2.2G CPU (WMP-171) Intel® Core™ 2 Duo 1.06G CPU (WMP-172)
FSB	533MHz / 800MHz
Chipset	Intel® GME965 chipset + ICH8M
BIOS	Award BIOS, ACPI supported
VGA	Intel® GME965 integrated VGA (X3100)
DVI	One DVI 29 pin output
Audio	Realtek ALC286 Audio Codec, 2+2 watts power amplifier
LAN	Realtek RTL8111B Gigabit Ethernet x 2
Memory	Two Dual Channel DDR2 SODIMM socket supports up to 4GB (Default: 512M)
I/O	ICH8M
Serial ATA	Port x 1 with 150 MB/s transfer rate x 1
USB	8 USB 2.0 ports (4 ports in the rear I/O region, 2 ports with on-board pin headers, and 2 reserve for WebCAM and Touch screen.)
WDT	Generates system reset; 256 segments, 0, 1, 2...255 sec.

Expansion

PCI x1	PCI 2.2 expansion slot x 1
PCMCIA	PCMCIA Type I/II 32-bit CardBus slot x 1
Mini-PCI	32-bit Mini-PCI socket x 1

External I/O

VGA	DB-15 x 1
DVI	DVI output x 1
Audio Jack	3.5mm phone jack connector (Line-in, Line-out, and Mic-in)
USB	USB 2.0 x 4
COM	DB-9 x 3
KB/Mouse	PS/2 Connector x2 for keyboard/mouse
LAN	RJ45 x2 for Gigabit Ethernet
Power	DC-In connector x 1
Switch	Reset key
Speaker	2W x 2
Front Bezel	LED Indicator/ Hot Key (Power Button/ Audio adjustment +/- / brightness +/-)

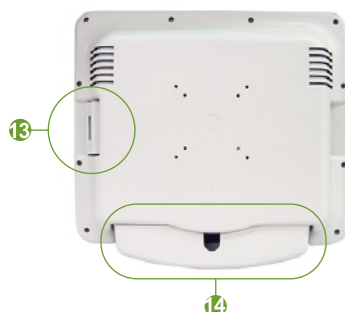
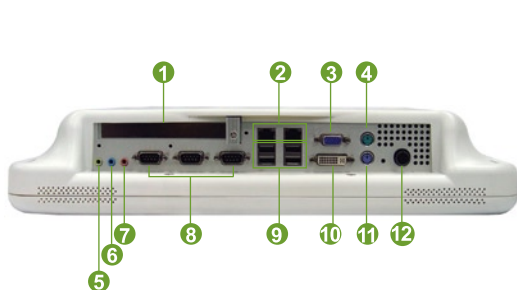
Display and Touch

Panel	17", 400 nits
Touch	Resistive type

Storage

HDD	2.5" SATA HDD drive bay x 1 (with anti-vibration mechanism) (Default: 80G)
CF	1 x bootable Compact Flash slot for CF type I/II storages (Optional CF card)

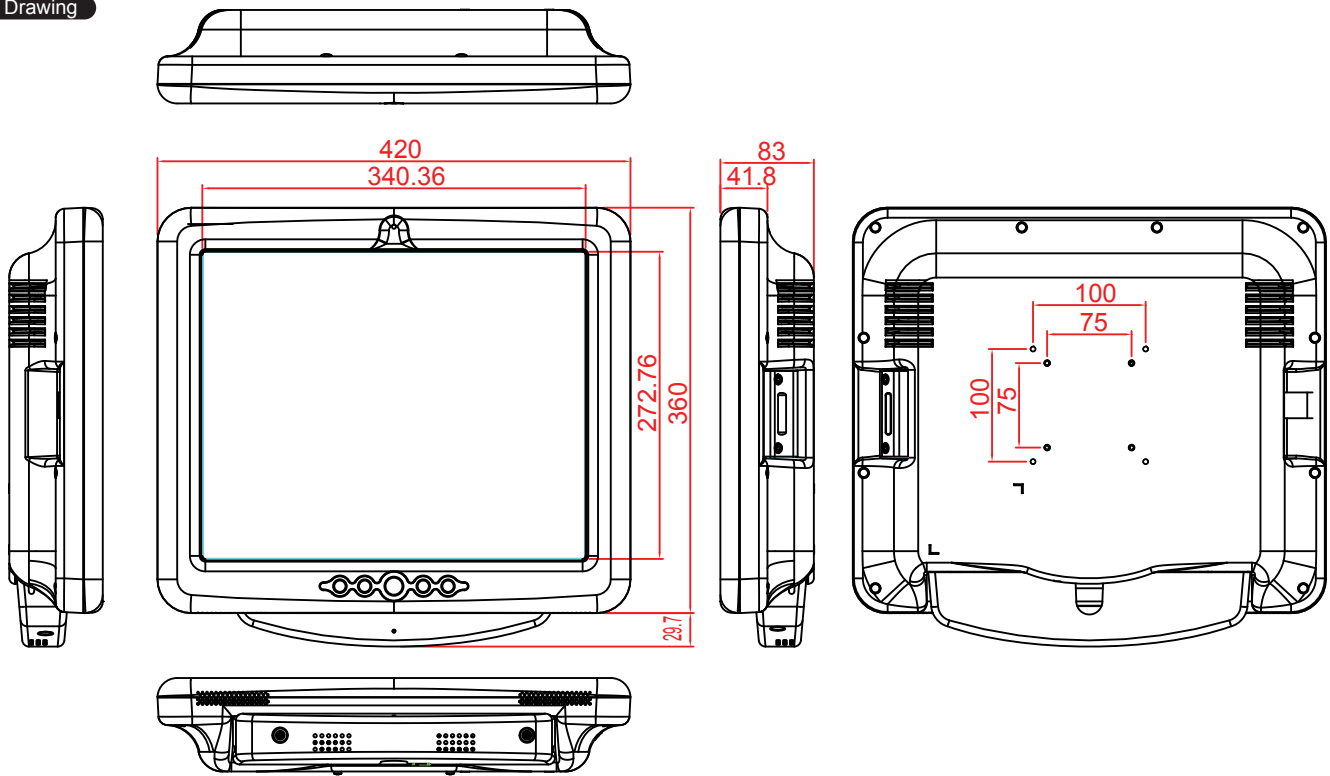
Fully-integrated I/O



- | | |
|-------------|-----------------|
| 1 PCI Slot | 9 USB |
| 2 Giga LAN | 10 DVI |
| 3 VGA | 11 PS2 K/B |
| 4 PS2 Mouse | 12 Power DC-in |
| 5 Line-out | 13 Rubber cover |
| 6 Line-in | 14 I/O cover |
| 7 Mic | |
| 8 RS232 | |

Medical Grade All-in-one Solution

Drawing



Application:



Nursing Cart



Bed Side Terminal

Certificate

1. Regulatory : CE/FCC class B / EN60601-1/ UL60601-1, UL/cUL, VCCI
2. Water/Dust proof : IP65 at front side / IPX1

Key Features



Truly Fanless



HDD Anti-vibration



Wireless LAN



TV tuner

Ordering information

1. PPC-MG-17C2D 2.20G Mobile CPU-512M RAM-80G HDD
2. PPC-MG-WF-17C2D 1.06G Mobile CPU-512M RAM-80G HDD