

PPC-IP65-S-10VC



10" VIA C7 Fanless Panel PC



Features

- True Fanless Thermal Solution
- VIA C7 1.0G
- IP65 / NEMA4 Water / Dust Proof on Front & Rear Bezel
- LAN / CF / Audio / USB2.0 *4
- Power Input DC 12V ~ 28V
- SKD Design
- Supports 802.11b/g Wireless Solution (Optional)



System

CPU	Onboard VIA C7 1.0 GHz (9W)
Chipset	VIA CN700 + VT8237R plus
BIOS	AMI BIOS Support ACPI Function with PXE function
Cache	Level-1 128K / Level-2 128K (CPU integrated)
VGA	VIA CN700 built-in AGP 8X graphics, shared system memory up to 64MB
Audio	AC97 Audio Codec, 2+2 watts power amplifier
LAN	VT6103 10/100Base-Tx Fast Ethernet PHY, support WOL/PXE function
Memory	1 x DDR2 533 SODIMM socket supports up to 1GB memory
I/O	VIA VT8237R plus
IDE	Serial ATA interface x 1
WDT	1~255 minutes, software programmable
H/W monitor	CPU & system temperature monitoring

Storage

HDD SATA 2.5" HDD drive bay

Expansion

CF Bootable Compact Flash slot for CF type I/II storages x 1

External I/O

USB USB 2.0 x 4
 COM DB-9 x 3 (RS-232 x 2, RS-232/422/485 x 1)
 LAN RJ-45 x 1
 KB/Mouse PS/2 Keyboard & Mouse x 1
 Audio Line-in, Line-out, and Mic-in audio jacks
 Power DC-In connector x 1
 Switch ATX power switch & RESET switch

Display

Resolution (pixel)	SVGA (800 x 600)
Active Area (mm)	211.2 (H) x 158.4 (V)
Pixel Pitch (mm)	0.264(H) x 0.264(V)
Number of Colors	262K
View Angle (H/V)	130/110
Brightness (cd/m2)	230
Contrast Ratio	400:1
Response Time (ms) (at 25°C)	25
Interface	LVDS
Supply Voltage (V)	3.3V
Backlight	CCFL

Power

Power Input DC 12V ~ 28V
 Power Adaptor AC90~264V / 47~63Hz
 Front LED color: Power: Green / HDD accessing: Orange

Touch screen

Controller Pen mount DMC9000 through COM port (on board)

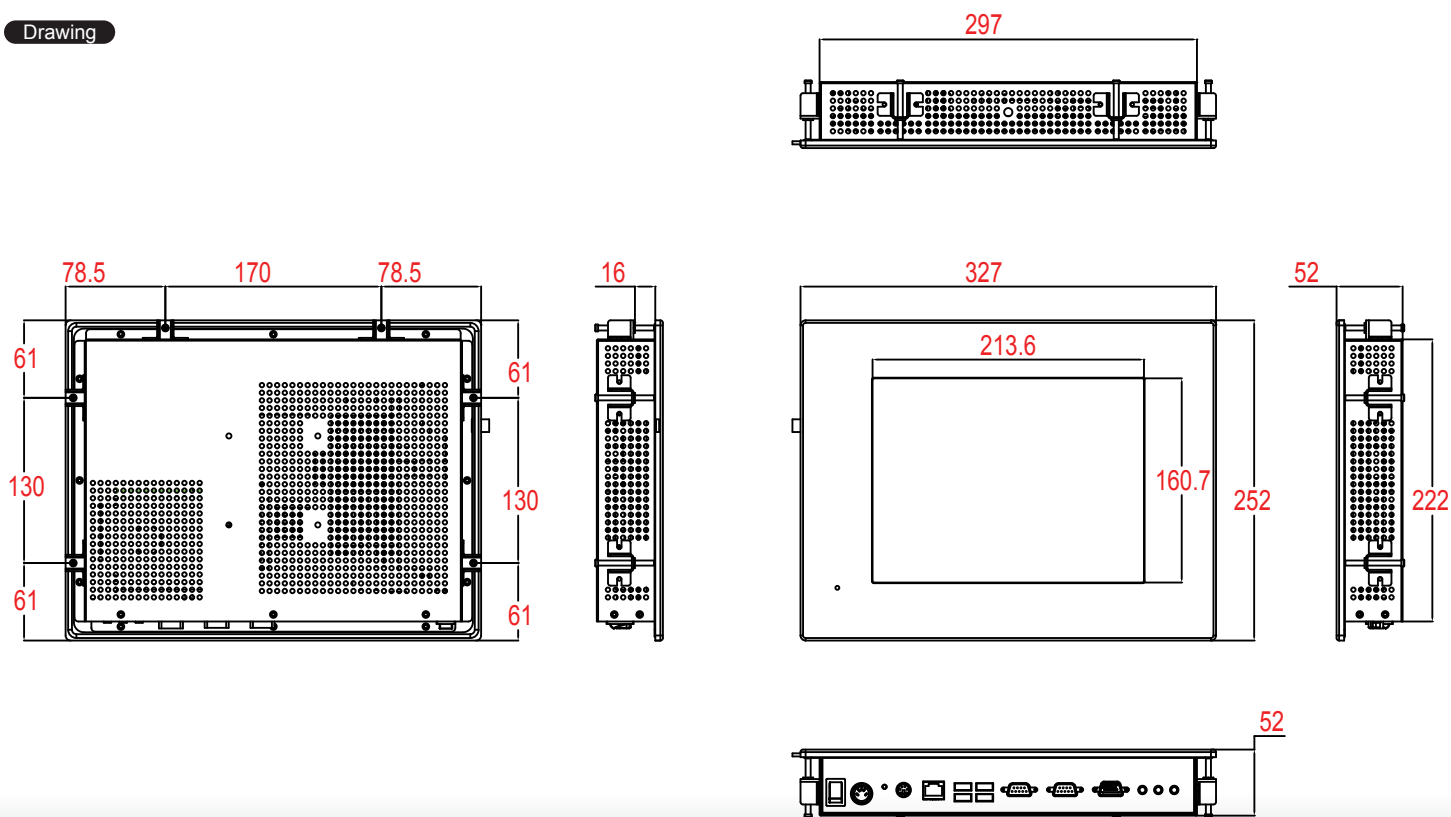
Characteristics	Resistive
Touch Resolution	4096x4096
Stylus use possible beyond finger	No Limitation, can use any stylus
Glove use possible	Any type glove
Light transmittance	70% - 85%
Hardness	3H
Accuracy	98.50%
Response time	20 ms

Mechanical & Environmental

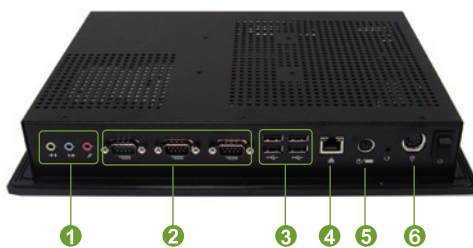
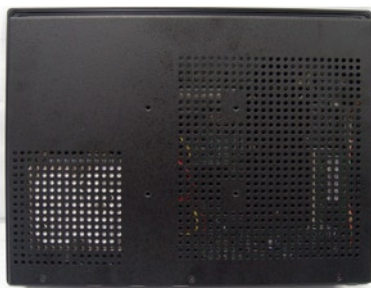
Operating Temperature 0~40 °C (fanless)
 Storage Temperature -20~60 °C
 Relative Humidity 10%~90%, non-condensing
 Dimensions (L x W x D) 327 X 252 X 52 mm
 Weight 3.7 Kg

10" VIA C7 Fanless Panel PC

Drawing



Fully-integrated I/O



- ① Line-in, Line-out, Mic-in
- ② COM port
- ③ USB
- ④ RJ-45 interface
- ⑤ PS2 K/B & Mouse
- ⑥ DC Power jack

Key Features



HDD Anti-Vibration



Ultra Slim and Rugged Design

Regulatory

FCC-A, CE (EMC/LVD), VCCI, UL/cUL, CCC

Vibration spec.

Operating: 0-peak, 5~ 500Hz , Acceleration:0.5G

Ordering information

1. PPC-IP65-S-10VC- BKRT-C7 1.0G-512-80 (resistive touch screen)