

PPC-IDS-47P



47" All-in-one (Interactive) Digital Signage



Side I/O cover



Bottom I/O cover

Features

- 47" All-in-one Digital Signage with Industrial grade Engine box integrated.
- Intel Core 2 Dual CPU + Q965 + ICH8 Platform
- Display controlled by industrial pc mother board through RS232.
- IR touch integration
- Deliberated system integration solution.
- Stylish looking
- Support 1920x1080 HDTV content & 3D application
- PCI-express Slot for expansion
- RoHS compliance

System

CPU	Socket 775, Intel Core 2 Duo Up to 2.66GHz (65W)
FSB	800MHz / 1066MHz
Chipset	Intel® Q965 chipset: •Intel Q965 Graphic Memory Controller Hub (GMCH) •Intel ICH8 I/O Controller Hub
BIOS	8Mb AWARD Flash BIOS
VGA	Intel Q965 integrated graphic subsystem (GMA3000)
Audio	Realtek ALC268 AC97 Audio Codec 2+2 channels
LAN	Realtek 8111B Giga LAN x 2
Memory	Two 240-pin DDRII 533/667/800 DIMM sockets (dual channels), supports max. 4 GB system memory
I/O	ICH8
Serial ATA	Port x 4
GPIO	8-bit input, 8-bit output (5V) (pin head design in)
WDT	1~255 minutes, software programmable
Photo sensor for brightness control	

Add-on Options

1. TV tuner function & Video capture function: COMPRO E300F, PCI-E x1 card
2. Wireless LAN function: by VIA VNT6656GEV00 PCI-E mini card
3. VGA card function: by TUL ATI HD 2600 Pro 512MB DDR2 128Bits
4. Stand x2
5. Bottom I/O cover
6. Side I/O cover
7. Web camera (1.3M pixels)
8. Speakers (5W+5W) (landscape, portrait)
9. Wall mount bracket (200 x 200 mmxmm)
10. Magnetic stripe card reader

Display

Panel Size	47"
Resolution	1920x1080
Number of Pixels	2.1Mx (R,G,B)
Pixel Pitch(mm)	0.5415
PPI	47
Active Area(mm)	1039.68x584.82
Luminance(nits)	500
View Angle	(U/D/R/L,CR>20) 88/88/88/88
Contrast Ratio	2000:1
Color Depth	8bit (16.7M)
Color Gamut	(NTSC) 72%
Response Time(ms)	6.5 (Gray to Gray)
Electrical Interface	2ch LVDS

Storage

HDD	3.5" SATAII HDD drive bay x 1
------------	-------------------------------

Expansion

PCI-E mini card slot	x 1
PCI-Ex16	x 1
PCI-Ex1	x 1

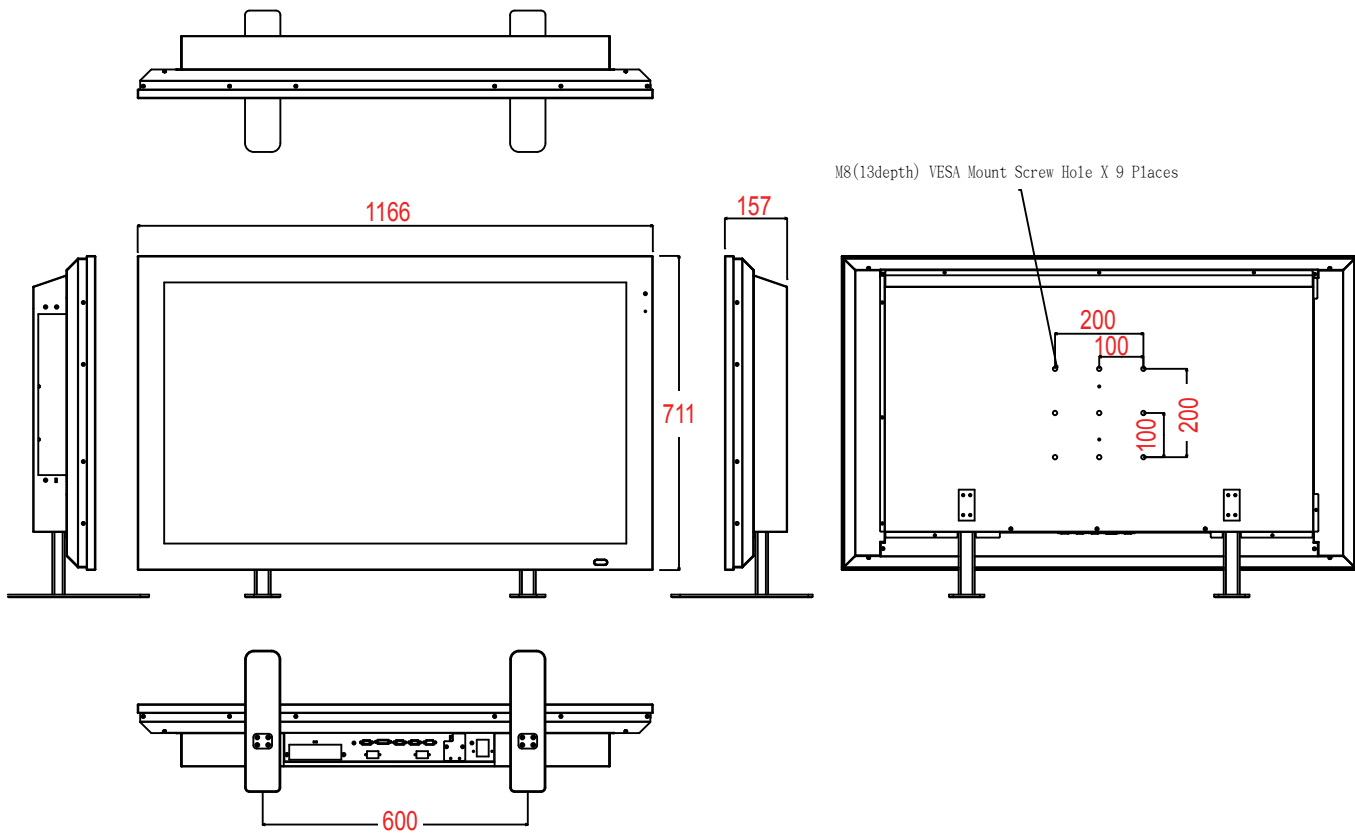
External I/O

USB	USB 2.0 x 4 (external x 4, internal x 4)
COM	RS232 x 1 (external: RS-232 x 1, internal RS-232/422/485x1)
LAN	RJ-45 x 2 (Gigabit Ethernet)
KB/Mouse	PS/2 Keyboard x1 & Mouse x 1
Audio	Line-in, Mic-in, Line out audio jacks
DVI-D output	x 1
IEEE1394	Fire wire *1 (option)
GPIO connector	(option)
VGA output	x 1
VGA input	x 2
DVI-I input	x 1
RS232	x 1

All-in-one (Interactive) Digital Signage

Drawing

PPC-IDS-47P-BKIT



● Power

Power	AC-In connector x 1, with locker
Power Input	Direct AC connector, 100-240VAC, 50/60Hz
Power consumption	375W
Power Switch	Main switch to turn on/off AC power (at the bottom side) Switch to turn on/off mother board (at the external I/O of PC side)
Power LED	Power and HDD indicator at PC board external I/O side (LED colors: Power: Green / Orange: HDD accessing)

● Mechanical & Environmental

Color	Standard: Black, Option: Silver
Operating Temperature:	0°C ~ 40°C
Storage Temperature	-20°C ~ 60°C
Operating Humidity	10 ~ 80%
Storage Humidity	10 ~ 80%
Noise level under 38 dB	

● Dimension and Weight

Standalone	PPC-IDS-47P-BK	PPC-IDS-47P-BKIT	PPC-IDS-47P-BKTG
Subtotal	41.5	49.1	44.6
Weight (without stand)	41.5	49.1	44.6
Weight (with stand) kg	43.5	51.1	46.6
Dimensions (without stand) mm (W) x mm (H) x mm (D)	1166*711*141	1166*711*157	1166*711*144
Dimensions (with stand) mm (W) x mm (H) x mm (D)	1166*773*141	1166*773*157	116*773*144

● Ordering information

1. PPC-IDS-47PBK-C2D 2.6-512-80
2. PPC-IDS-47PBKIT-C2D 2.6-512-80
3. PPC-IDS-47PBKTG-C2D 2.6-512-80